

Description & Features :

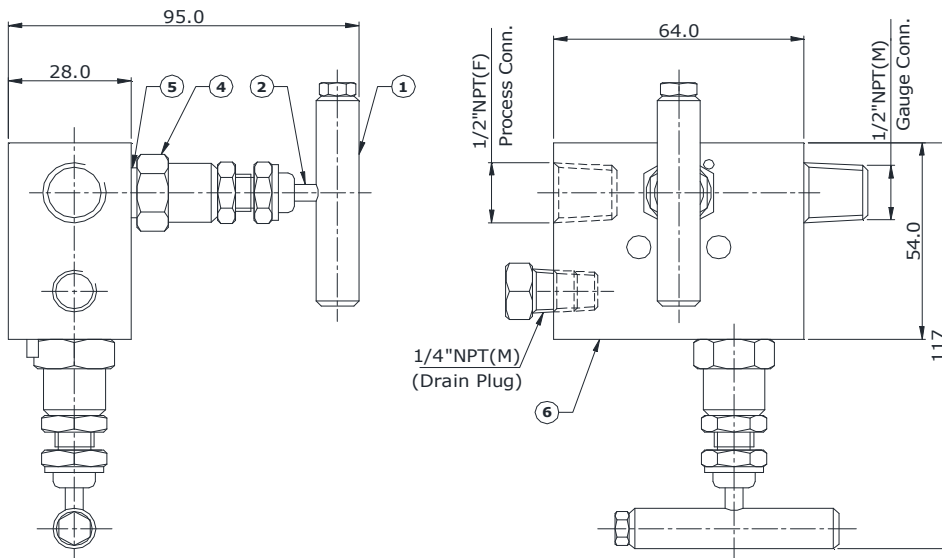
- ❖ Available in 2 valve / 3 valve / 5 valve manifold
- ❖ Material SS316 / SS304
- ❖ 1/2"NPT connection or other
- ❖ Pressure rated 400 Kg/Cm2 and higher



Application :

- ❖ Manifolds are used for flow control. 3 way or 5 way type manifolds are used along with Differential Pressure Transmitter / Differential Gauges.

**2 Way Manifold Valve
(1/2"NPT(F)x1/2"NPT(M))**



Sl. No.	Description	Material	Remarks
01	Handle	SS 304	
02	Spindle	SS 316	
03	Bush	Graphite	
04	Gland Nut	SS 316	
05	Gland Adopter	SS 316	
06	Body	SS 316	