

## Description & Features :

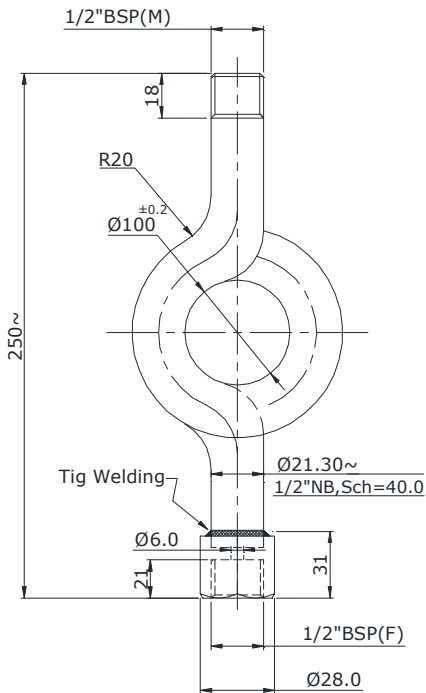
- ❖ Available in U type and Pigtail / Coil Type.
- ❖ Material SS316/ SS304 / C.S.
- ❖ 1/4", 3/8", 1/2" BSP or NPT connection.
- ❖ Schedule 40 / 80 / 160



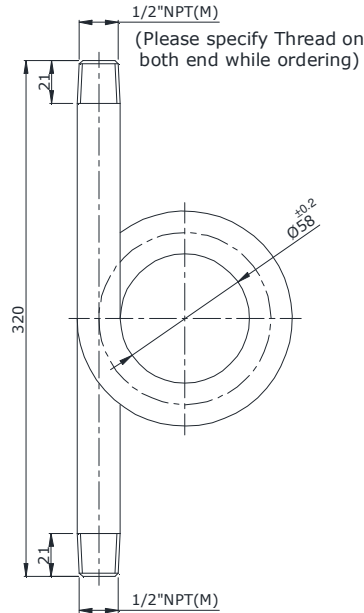
## Applications :

- ❖ The Syphon Tube is connected between the pressure gauge & process in applications where high temperature vapours or fluids are present or temperature above 65 Deg C for eg. Steam. It acts as a cooling coil and protects the gauge from high temperature vapours, by dissipating heat. A gauge cock is generally connected between the pressure gauge and syphon for isolation.

**COIL TYPE SYPHON (O-TYPE)**



**PIG TAIL SYPHON**



**Size: 21.33 OD x 40sch.(1/2"x 40sch.)**  
**Mtrl: SS 316 / A 105**

**U-SYPHON**

