

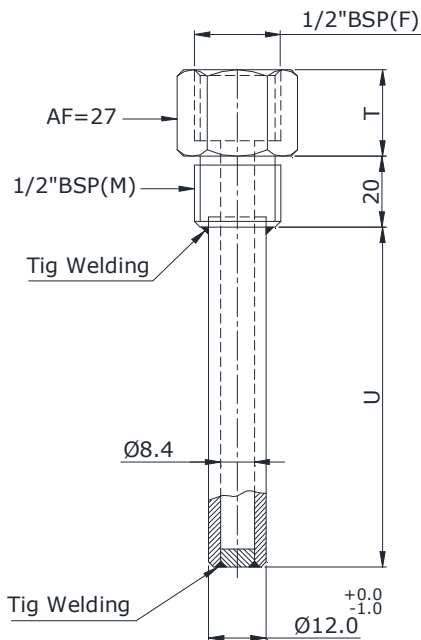
Description & Features :

- ❖ Available in Straight Type, Taper Type, Flanged End Straight Type and Flanged End Taper Type
- ❖ Material SS316 or SS304 or Brass or other as required
- ❖ 3/8", 1/2", 3/4", 1" BSP or NPT connection or other as required or Flanged End Connection as per DIN, ASME, BS Standards
- ❖ Special coating/lining on thermowell of special material

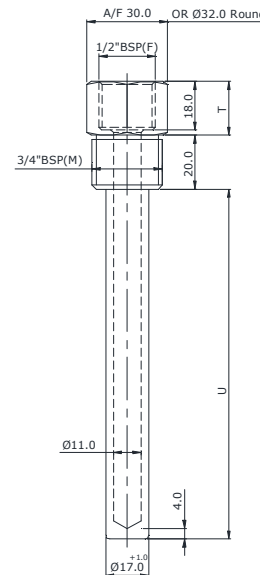


Application :

- ❖ Thermowells protect the stem or bulb of the thermometers from corrosive effects, pressure and viscosity of process fluids. It also allows removing of the temperature gauge for recalibration, repair purpose without disturbing the process.



BAR STOCK THERMOWELL



FABRICATED THERMOWELL WITH FLANGE

FLANGED BAR STOCK THERMOWELL

